

PHOBOS BT

The best answer for residential use



Electronic torque limiter and magnetic limit switches
maximum security and smooth manoeuvre

For residential gates with a weight
550 lb (250 kg) of up to and
a length of up to 6 ft (1,8 mt)

Unique design and great
installation handling

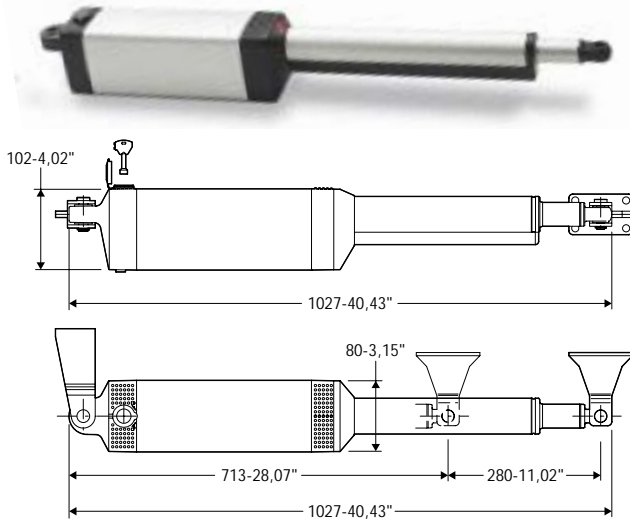
Upswung.com





PHOBOS BT

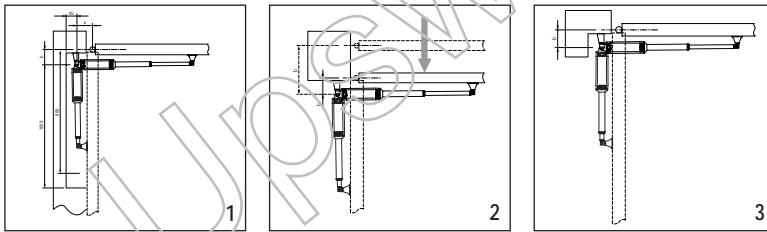
The best answer for residential use



PHOBOS BT: irreversible low voltage operator for swinging gates with leaves up to 550lb (250kg), length up to 6ft (1,8mt). Complete with electronic torque limiter and magnetic limit switches. The control board Libra include a rolling code receiver.

PHOBOS BT is a very small yet versatile motor

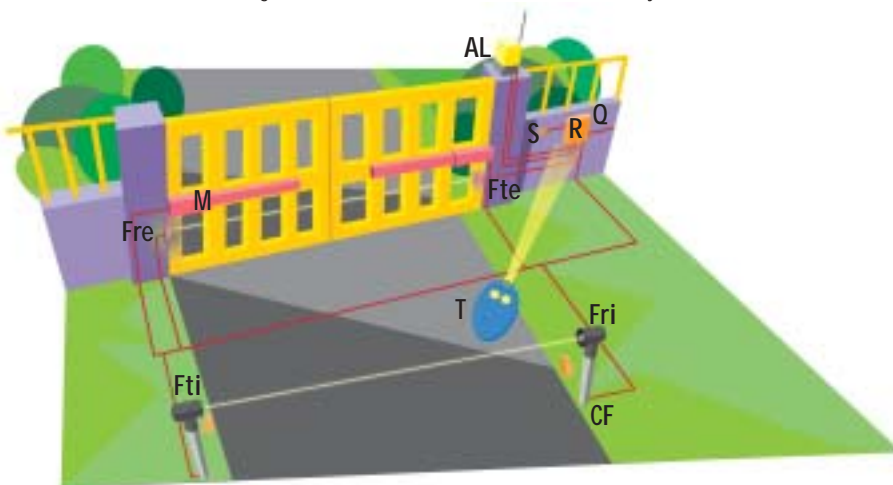
Designed for residential use and therefore suitable for very restricted spaces. If the space between the leaf and the fence is not enough, PHOBOS BT can be installed into a very small niche. If due to the presence of a pillar the space does not allow the correct installation parameters to be observed, it is possible to: move the hinge-pivot (fig 2) or create a niche in the pillar (fig 3)



Recommended installation

M PHOBOS BT operators
Q LIBRA control board
R INTRIC rolling code receiver
T TRC rolling code transmitter

Ftx-Frx FL 130 photocells
CF CF 130 photocells posts
AL SL433 LAMPO PA antenna and blinker
S INTRO key selector



Mod. CPH: rod cover to improve aesthetic and protection.

Technical features

Operator	PHOBOS BT
Voltage	24V
Motor revolution	3800 min ⁻¹
Power absorption	40W
Current	1,5A
Pushing and pulling force	2000N (400lb)
Working stroke	11in (28cm)
Rod speed	0,5 in/s
Impact reaction	integrate torque limiter on Libra control board
Limit switches	magnetic (adjustable)
Manual manoeuvres	CLS release key
Degree of protection	IP 44
Controller weight	50N (11lb) - (5kg)
Lubrication	permanent grease

Control panel

Programming trough integrated display anti squash control by amperstop. Integrate rolling code receiver. Self diagnosis tracking and learning of statistical parameters. Arranged for a centralized serial control Eelink compatible.



LIBRA MA UL R: technical features

Control Unit for 1 or 2 PHOBOS BT operators. Programming by mean of integrated display. Antisquash device by mean of amperstop reading. Integrated rolling code receiver. Self-diagnosis function. Detection and storage of statistical parameters. Presetting for centralized serial control. Eelink compatible. With additional features, namely: hold-to-run function, possibility of setting slowdown at 3 different speeds both during opening and closing, 433.93 MHz 63-code CLONIX rolling-code radio receiver integrated in the control panel with possibility of remote programming of transmitters. **UL325 and CSA 22. No 247-9 Approved**