



total access control

1150 VEHICULAR
**OVERHEAD
GATE**
OPERATOR

Upswung.com



E features

- Advanced microprocessor control board with built-in operator diagnostics
- Plug-in loop detectors simplify wiring and make installation easy
- Low profile for underground parking applications
- Keyed manual release
- Meets or exceeds the requirements of the UL 325 and 991 safety standards. ETL listed



total access control

THE MODEL 1150 overhead gate operator is designed for high traffic underground parking applications serving gated communities, apartment complexes, commercial buildings and industrial sites. This operator is not designed for residential applications and should never be used to operate overhead sectional garage doors.

TECH SPECS

class of operation
Class II, III, IV

electrical
1/2 HP continuous duty
115 VAC, 60 Hz, 4.4A

mechanical
Primary Reduction: 40:1 worm gear running in a continuous oil bath
Chain: #40
Speed: Approximately 10in./sec
Cover: Charcoal grey polyethylene
Frame: G90 galvanized steel to prevent rusting

manual release
Fail Secure: Keyed release standard

operating temp
10° to 140°F
-12°C to 62°C

gate limitations
Max gate height: 8 to 14ft
Operator is available to operate gate heights of 8, 10, 12 and 14 feet

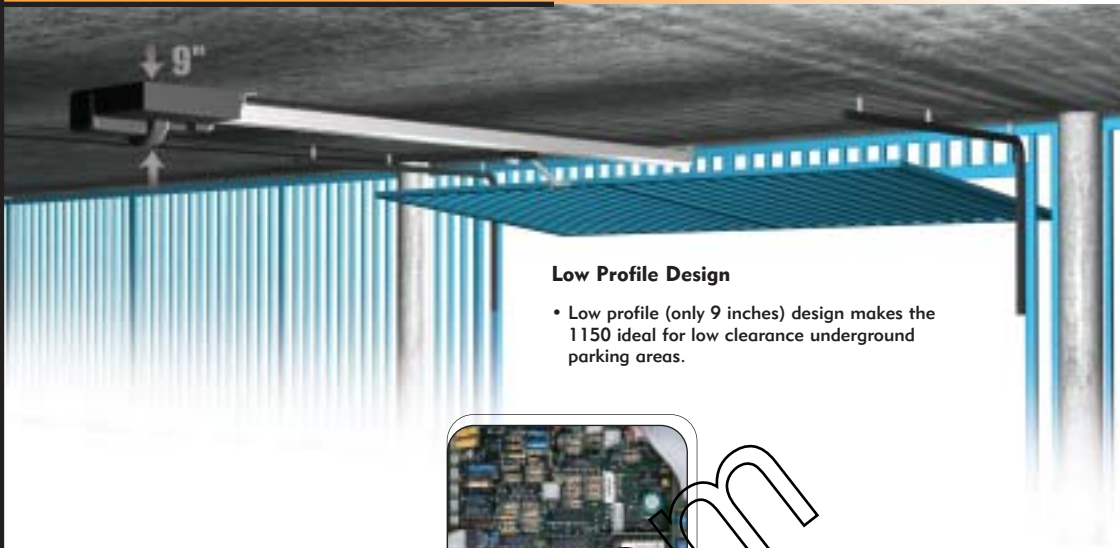
loop detectors
Port for plug-in open detector
Port for plug-in reverse detector

advanced features
Direct driven limit nuts for precise gate control
Auto-close timer 1-23 sec.
Timer override feature helps prevent tailgating
Gate tracker reporting output

safety listing
Complies with UL 325 and UL 991 safety standards
ETL listed

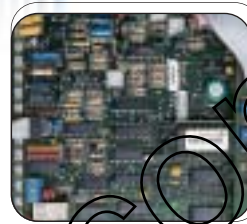
dimensions
Height: 9 inches
Width: 22 inches
Length: 175-224 inches
Shipping Weight: Approximately 175-225 lbs

Warranty: 2 year limited factory warranty



Low Profile Design

- Low profile (only 9 inches) design makes the 1150 ideal for low clearance underground parking areas.



circuit board
Advanced circuit board with LED readouts & built in diagnostics



shock mounts
greatly reduce noise and vibration from being transferred into above offices or apartments



plexi schematic
Wire connections are made simple with "plexi" schematic



chain tensioner
allows for quick and easy chain adjustment



limit switches
Easily adjustable

Upswung.com

