

Model

400

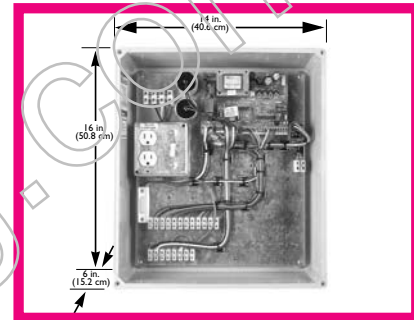


Model 400 Hydraulic Swing Gate Operator

The Model 400 is specifically designed for situations needing maximum versatility, such as apartment, subdivision, commercial/industrial and residential applications. Its strength also makes the 400 ideal for large, ornate gates.

Model 400 operators are controlled by the 450 MPS Control Panel.

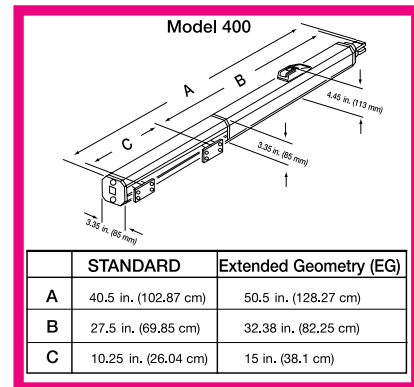
- * One 450 MPS operates single leaf or bi-parting gates
- * Choice of 6 operating modes including:
 - "pulse-to-open, pulse-to-close"
 - automatic timed closure, including **NEW HOLD OPEN** function
 - "man present" (separate open and close contacts)
- * Easy interconnection of loop detectors, photocells, etc. to reverse a gate if an obstacle is sensed
- * Easy interconnection of actuating devices like remote control radios, key pads and telephone entry systems
- * On-board diagnostic LEDs
- * Concealed positive gate stops available



Model 450 MPS Control Panel and fiberglass enclosure (cover not shown)

Parameter	Model 400 Standard	Model 400 Rapid	Model 400 Large Leaf	Model 400 Extended Geometry
Application	Certain apartment, subdivision, commercial, industrial, residential single leaf or bi-parting gate (vehicles only, not for pedestrian use)			
Cycles per hour	80	80	80	80
Maximum gate swing	115 degrees	115 degrees	115 degrees	125 degrees
90 degree opening time	17 seconds	12 seconds	23 seconds	17 seconds
Maximum weight per gate leaf	1300 pounds (590 kg)	900 pounds (410 kg)	2000 pounds (910 kg)	1300 pounds (590 kg)
Maximum length per gate leaf	18 feet (5.5 m)	12 feet (3.7 m)	23 feet (7 m)	18 feet (5.5 m)
Approx. operating temperature range	-33°F to 165°F (-36°C to 74°C) (For extreme temperature conditions, arctic grade fluid is available upon request)			
Hydraulic locking	Available in opened and/or closed positions	Available in opened and/or closed positions	Not available	Available in opened and/or closed positions
Voltage	115 VAC (2.5 A) or 230 VAC (1.5 A)			

Note: Operator specifications are approximate. Environmental factors can change the performance of the operator. Your installer will advise you which model of operator will work best for your site and application.



The 400 dimensions

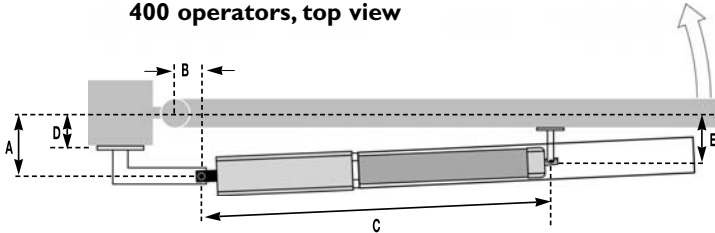


FAAC is the world's largest specialized manufacturer of operators for barrier, slide and swing gate systems.

The FAAC 400 Heavy Duty Operator



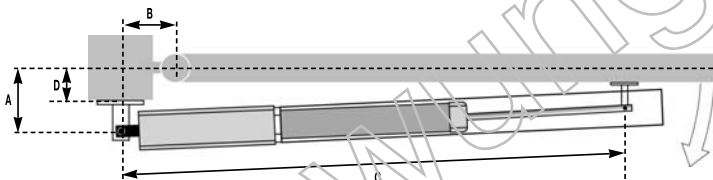
Mounting dimensions for OUTWARD-swinging 400 operators, top view



Dimensions

- A 5 in. (13 cm)
- B 5 in. (13 cm)
- C 27.56 in. (70 cm)
- D no limit
- E MUST be less than A

Mounting dimensions for INWARD-swinging 400 operators, top view



U L Class 325 Descriptions & FAAC Operators			
Class	FAAC Models	Duty Cycle	Typical Use
Class 1	Residential vehicular gate operator 400, 402, 422, 750, 760, 620, 640, 412	Limited duty	*Home use *Small apartment building, up to 4 units per building, limited public access
Class 2	Commercial/General access vehicular gate operator 400, 620, 640	Continuous duty	*Apartment buildings *Open public access
Class 3	Industrial/Limited access vehicular gate operator 400, 620, 640	Continuous Duty	*No public access
Class 4	Restricted Access vehicular gate operator 620, 640	Continuous Duty	*Prison related security

Model 400 Kits include:

- One or two hydraulic gate operators with mounting hardware
- One 450 MPS control panel
- One 14 x 16 in. weather resistant UL Listed fiberglass enclosure
- Two photobeam sets for opening and closing reversing devices
- One or two manual release keys
- One plug-in radio receiver
- Two radio transmitters
- 115VAC receptacle for accessories (5 amp max.)
- ON/OFF switch controlling power to control panel, accessories and plug outlet
- Pre-wired for dual photobeams – open and closing reversing devices
- Pre-wired motors to terminal strip
- Pre-wired Open/Hold Open contacts
- Test button
- Two or four warning signs

What the pre-wired system means to an installer:

The pre-wiring system is basically an extension of the control panel. Larger, easier-to-work-with terminal strips are wired from the control panel to locations on the enclosure backplate. When installing, power is run to a terminal strip; motor wires are run to a terminal strip; peripherals (like photobeams) are run to a terminal strip. Each strip has a wiring "map" to ensure easy connections. Anything external has a terminal provided. There is no need to wire anything to the control panel itself. Once connected, all that remains is the fine-tuning of various potentiometers and dip switches on the control panel and the installation is complete.

Model	90° Swing	115° Swing	125° Swing	
400 Standard, high speed and slow speed models	A	5 in. (13 cm)	4 in. (10 cm)	NA
	B	5 in. (13 cm)	4.75 in. (12 cm)	NA
	C	38.19 in. (97 cm)	38.19 in. (97 cm)	NA
	D	max. 3 in. (8 cm)	max. 2 in. (5 cm)	NA
400 EG (Extended Geometry)	A	7.88 in. (20 cm)* or 11.5 in. (29 cm)**	5.75 in. (14.6 cm)**	4.75 in. (12 cm)
	B	7.5 in. (19 cm)* or 3 in. (7.5 cm)**	7 in. (17.8 cm)	6.63 in. (17 cm)
	C	47.63 in. (121 cm)	47.5 in. (120 cm)	47.5 in. (120 cm)
	D	up to 5.25 in. (14 cm)* or 10 in. (25.5 cm)**	up to 3.5 in. (8.9 cm)**	up to 2.88 in. (7 cm)

* For A, B, and D, if you choose one of these values with one asterisk, then you must choose the other values with one asterisk.

** For A, B, and D, if you choose one of these values with two asterisk, then you must choose the other values with two asterisks.

For more information, visit our web site at www.faacusa.com, or call 1-800-221-8278.



LIT-400REV-5/01