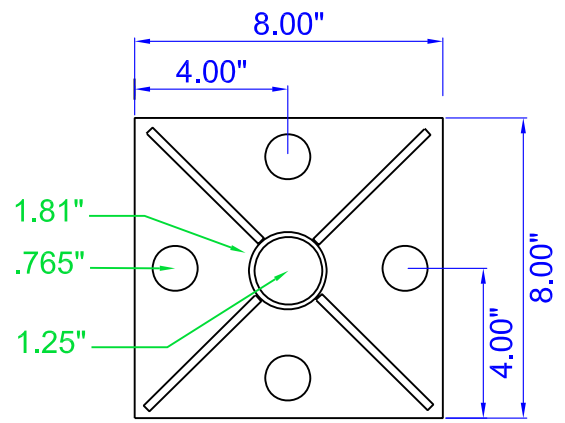
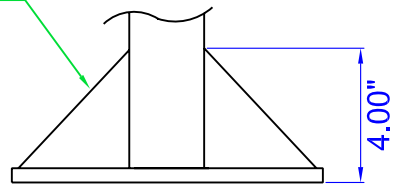


BOTTOM FLANGE ASSEMBLY



WELDED BRACES (4)
ONE EACH CORNER



2.00" OD BLACK PIPE
.120 WALL



9651 Chalma Street
Baton Rouge, LA 70814
(225) 216-3922 PH.
(225) 216-9445 FX.

PROJECT: _____
SUBJECT: _____
CONTRACTOR: _____
ENGINEER: _____

DATE: 25-OCT-07
DRN. BY: MJL
CHK. BY: SMH

DWG: PS094-AVIB
SHEET: 1
SCALE: NTS