

REPLACEMENT PARTS

MODEL RSW12V™ & RSW12VH™

LiftMaster
ELITE SERIES™

INDIVIDUAL PARTS

ITEM	PART NUMBER	DESCRIPTION
1	K1A6426-2	Control Board
2	K1C3196-7	Antenna
3	K13-34729	Dust Guard
4	K204B195-1	Transformer, 14.5 Vac, 30 VA
5	K20-9012B-1	Motor, 12 Vdc
6	K32-34656-1	Gear Reducer Top, 30:1
7	K32-35618	Gear Reducer Bottom, 30:1
8	K73-34637	Chassis
9	K75-34709-1	Control Enclosure with Mounting Hardware
10	K76-34743	Access Panel, 120 Vac with Receptacles
11	K76-35228-1	Reset Switch
12	K94-35225	Battery Harness Assembly
13	K29-50279-1	Alarm
14	Q029	Learn Limit Switch
15	K1A6636	Receiver Module 315 MHz
16	Q181	Coupling 2-1/2"

NOT SHOWN

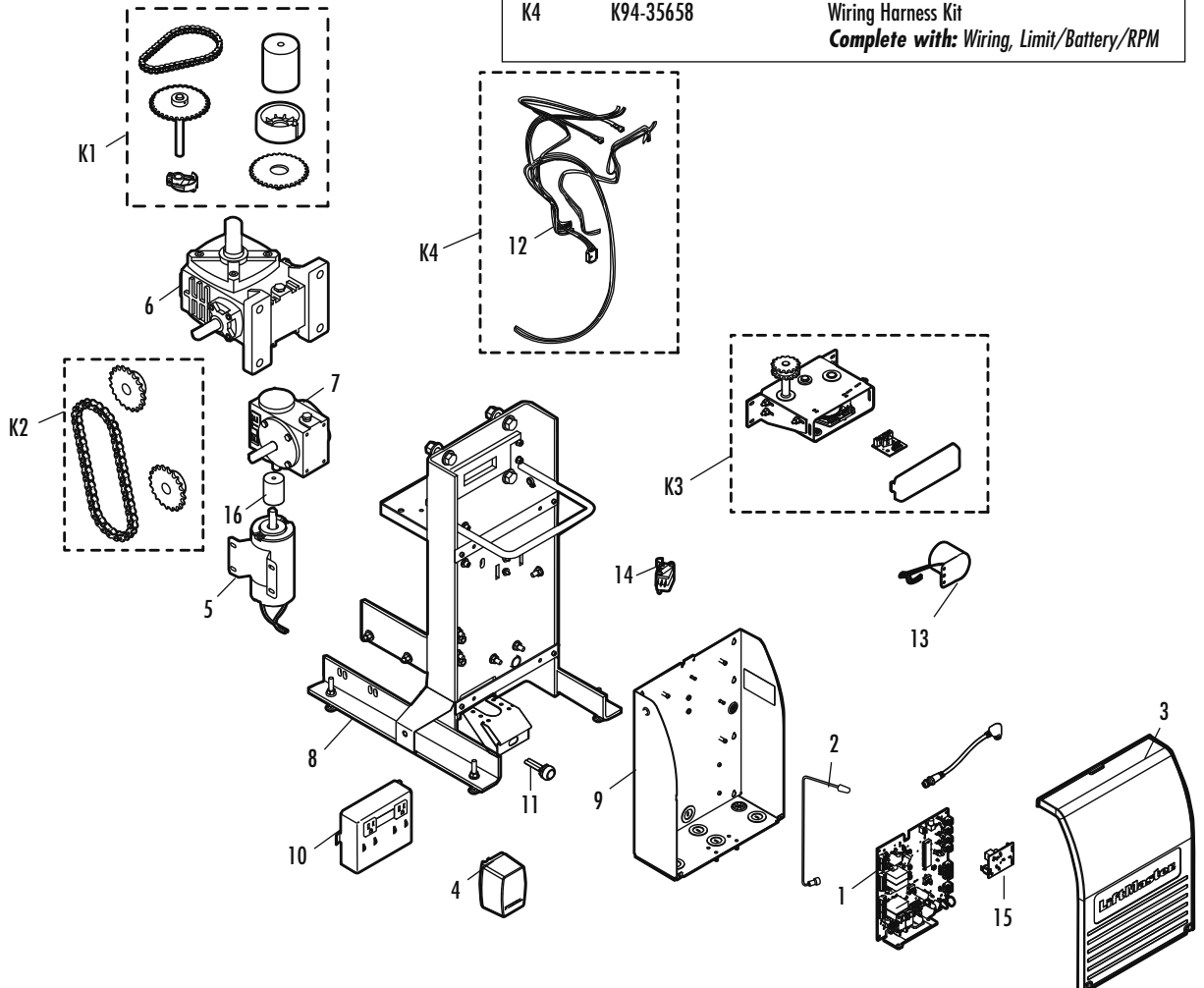
K1A6636-1	Receiver Module 390 MHz (optional)
K75-35343-1	Access Door with Lock and Key
K75-35400-1	Operator Cover Assembly with Access Door

NOT SHOWN (continued)

Q084	Cam Lock with Keys
Q118	Access Door Keys
Q104	Operator Arm Assembly
Q061	Cludge Assembly
Q059	Output Arm (Solid)
K45-50676	Star Knob
Q268	Cludge Cover (Plastic)
Q062	Cludge Cover (Stainless Steel)
Q103	Uphill Arm Kit
29-NP712	7AH Battery, 12 Vdc
K94-35225	7AH Battery Harness
A12330SGLPK	33AH Battery with Harness

KITS

ITEM	PART NUMBER	DESCRIPTION
K1	K70-35677	Limit Shaft Kit Complete with: Limit Shaft, Sprocket, Chain, Cam
K2	K70-35678-1	Sprocket Kit Complete with: Chain, Sprockets
K3	K76-35321	Learn Limit Assembly Kit Complete with: Learn Limit Switch, Learn Limit Nut, Limit Shaft Assembly, Sprockets, RPM Module, Set Screw, Key, Wire Harness
K4	K94-35658	Wiring Harness Kit Complete with: Wiring, Limit/Battery/RPM



REPLACEMENT PARTS

MODEL RSL12V™ & RSL12VH™

LiftMaster®
ELITE SERIES™

INDIVIDUAL PARTS

ITEM	PART NUMBER	DESCRIPTION
1	K1A6426-2	Control Board
2	K1C3196-5	Antenna
3	K13-34729	Dust Guard
4	K13-34745	Learn Limit Nut
5	K15-36001	Output Sprocket
6	K16-GT2-4	Drive Belt
7	K19-25087M	#25 Chain with Master Link
8	K204B195-1	Transformer, 14.5 Vac, 30 VA
9	K20-9012B-1	Motor, 12 Vdc
10	K32-34701-2	Gear Reducer
11	K73-34718-1	Chassis
12	K75-34709-1	Control Enclosure with Mounting Hardware
13	K75-35662	Limit Chain and Sprocket
14	K76-34743	Access Panel, 120 Vac with Receptacles
15	K76-35664	RPM Module
16	K94-35225	Battery Harness Assembly
17	K94-35659	Reset Switch and Harness
18	K29-50279-1	Alarm
19	Q029	Learn Limit Switch
20	K1A6636	Receiver Module 315 MHz
21	Q013	Idle Pulley (1) with Mounting Hardware

NOT SHOWN

K1A6636-1	Receiver Module 390 MHz (optional)
K13-34720	Operator Cover
1941240	Gate Chain #41 (10 ft)
1950307	Master Link #41
Q003	Chain Bolt
Q004	Chain Bracket

NOT SHOWN (continued)

29-NP712	7AH Battery, 12 Vdc
K94-35225	7AH Battery Harness
A12330SGLPK	33AH Battery with Harness

KITS

ITEM	PART NUMBER	DESCRIPTION
K1	K17-35661	Pulley Kit Complete with: Gear Reducer Pulley, Motor Pulley
K2	K76-34740	Learn Limit Assembly Kit Complete with: Learn Limit Switch, Learn Limit Nut, Limit Shaft Assembly, Sprocket, Wire Harness
K3	K94-35658	Wiring Harness Kit Complete with: Wiring, Limit/Battery/RPM

