



# 9530 MAXIMUM SECURITY GATE OPERATOR



• INDUSTRIAL • MAXIMUM SECURITY

- User adjustable variable speed control
- Slow-start / slow-stop operation
- High tensile strength roller chain provides a direct mechanical linkage to the gate, will not slip and is unaffected by weather or other contaminants such as dirt, oil, grease, ice, etc.
- Integral internal direct driven limit switch system cannot be tampered with externally
- 5-year limited warranty



**heavy-duty**  
10 ga steel housing option



**solid-state**  
variable speed control



**direct drive**  
limit switches

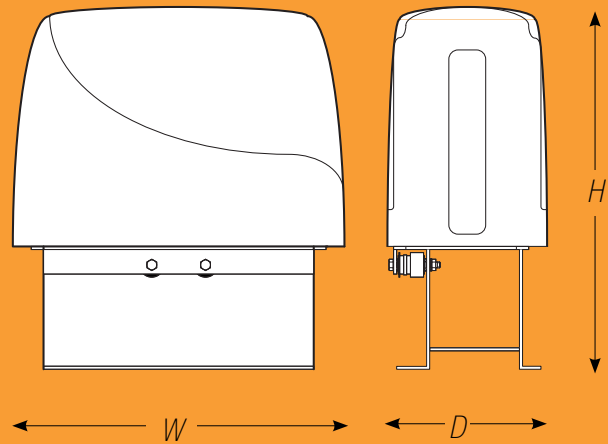


**large gates**  
up to 10,000 pounds

# 9530 MAXIMUM SECURITY OPERATOR

## 9530 3 HP

54" W x 59" H x 26" D (137.16cm W x 149.86cm H x 66.04cm D)



	CLASS OF OPERATION	MAX GATE LENGTH *	MAX GATE WEIGHT *	MOTOR	INPUT	GATE SPEED
<b>9530 3 HP</b>	III, IV	160 Ft (48.77 m)	10,000 Lbs. (4536 kg)	3 HP continuous duty AC motor	208 VAC / 3 $\phi$ , 9.8A 230 VAC / 3 $\phi$ , 9.6A 460 VAC / 3 $\phi$ , 4.8A	1 - 2 Ft / Sec

\* Assumes gate to be in good condition and swinging in a level plane.

## Technical Features

### Mechanical

3/8" Steel frame  
1/4" polyethylene molded cover rated NEMA 4x  
Primary Reduction is provided by heavy-duty gear reducer running in a continuous oil bath.  
Standard speed operators use a 40:1 Reduction  
Chain: includes 20' of #80 Roller chain

### Options

Heavy-duty 10 ga steel housing  
Chain tray kit (p/n 2601-270) is available in 10-ft lengths and is recommended on gates exceeding 20-ft in length  
Red/Green traffic signal provides a visual indication when the gate is safe & it is OK for traffic to proceed  
Non-contact (photocells) and contact (sensing edges) entrapment prevention devices

### Electrical

Adjustable speed control circuit: 1-2 ft/sec  
Slow start / slow stop  
Adjustable partial open  
Anti-tailgating  
Selectable stop / reverse loop function  
Direct driven limit switches  
Built-in power switch  
Built-in 3-button control (open-close-stop)  
Warn-before-operate function  
Built-in diagnostics check for specific fault conditions  
Port for plug-in loop detectors (DKS Detectors only)  
Two 115 VAC Convenience outlets  
Optional Gate Tracker reporting provides operator data to a companion DKS access control system (models 1833, 1835, 1837 and 1838)

### Miscellaneous

Environmental: 10°F to 140°F (-12°C to 62°C)  
Thermostatically controlled heater kit recommended for colder environments  
Shipping weight approximately 700-1,100 Lbs (317-499 kg)  
Depending on model and options selected



### Safety

This vehicular slide gate operator is designed for Class III and IV applications only and should never be used in applications serving the general public such as apartment complexes, gated communities, residential applications, parking garages, etc.

External obstruction sensing devices must be used with these operators



Access Control Solutions since 1948

Distributed by:

MEMBER:



**DOOR KING, INC.**

120 Glasgow Avenue, Inglewood, California 90301 U.S.A.

Tel: 310-645-0023 FAX: 310-641-1586 www.doorking.com

© 2013 All Rights Reserved. Product specifications may change without notice.  
Rev. 4/13