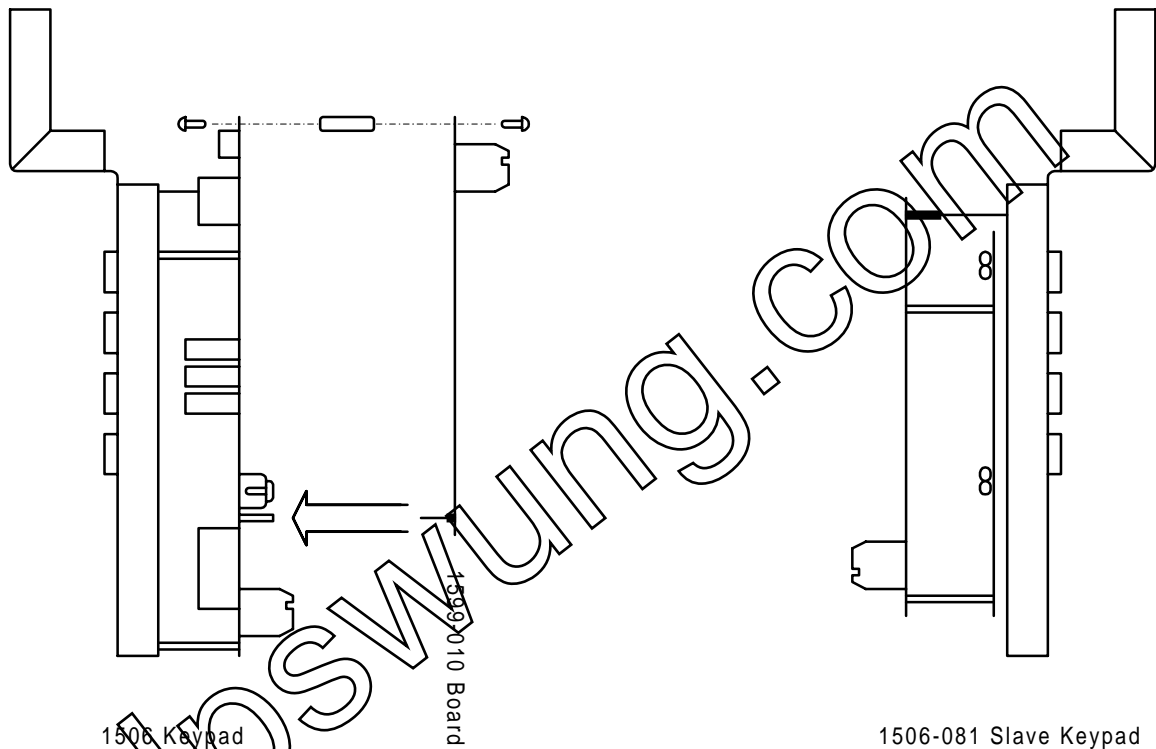




## Instructions for 1506-081 Slave Keypad

The 1506-081 slave keypad is designed to work with the 1506 series keypad entry devices. When connected to a 1506 keypad, the slave keypad provides momentary, continuous, and restricted entry codes to be accessed from a second location, and is typically installed on the inside of a door or gate.



### Mounting

1. Install the 1599-010 circuit board assembly onto the 1506-010 circuit board. Be sure that the pins on the 1599 board are inserted correctly into the pin socket on the 1506-010 board.
2. Secure the 1599 board to the 1506 board with the hardware provided.

### Wiring

1. Wire terminals 1 - 8 on the 1599-010 circuit board to terminals 1 - 8 on the 1506-081 slave keypad. Be sure that this wiring is isolated from ground. **Use 22 AWG shielded cable, maximum length 200 feet.**
2. Wire the slave keypad light to terminals 13 and 14 on the 1506 main terminal strip.
3. Connect the shield to ground.